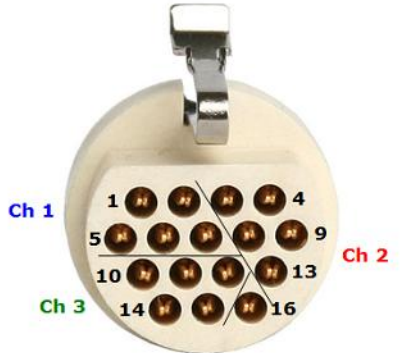
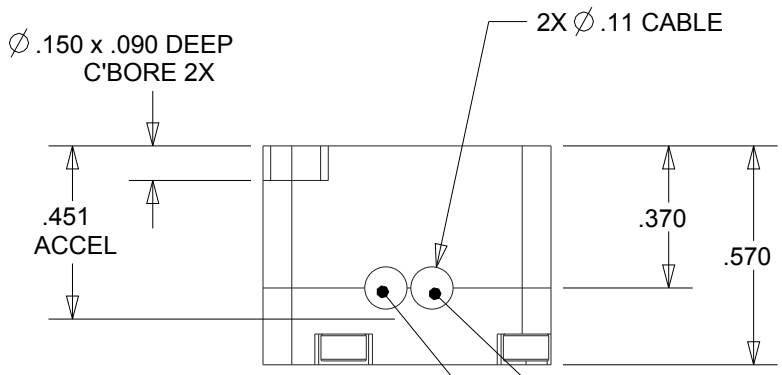
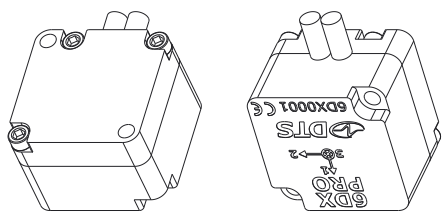
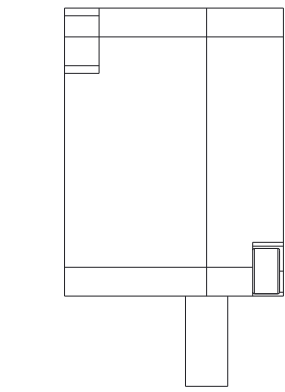
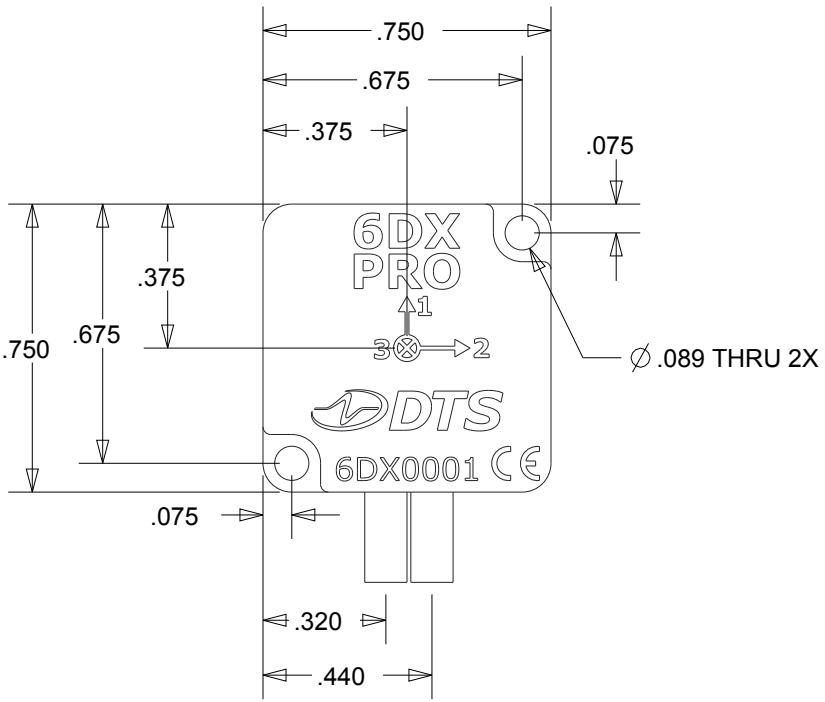


REVISIONS			
REV	DESCRIPTION	DATE	APPR
1	ADDED DRAWING NUMBER	11/7/12	GN

WIRE COLOR & PIN ASSIGNMENTS




AXIS	FUNCTION	COLOR	PIN
1	+EXCITATION	RED	6
	-EXCITATION	BLACK (1)	7
	+SIGNAL	GREEN	1
	-SIGNAL	WHITE	5
	+ID		2
2	+EXCITATION	BROWN	8
	-EXCITATION	BLACK (2)	13
	+SIGNAL	BLUE	4
	-SIGNAL	YELLOW	3
	+ID		9
3	+EXCITATION	ORANGE	11
	-EXCITATION	BLACK (3)	12
	+SIGNAL	GRAY	10
	-SIGNAL	PURPLE	14
	+ID		15
ALL	-ID / SHIELD	SHIELD	16



ACCELEROMETER SENSOR CABLE
ARS SENSOR CABLE

**MOUNT USING 2-56 x 5/8" OR M2 x 16MM SCREWS
TORQUE TO 2.5 IN-LB CLEAN AND DRY**

NOTE: SEE MANUAL FOR INSTRUCTIONS TO DIFFERENTIATE THE 3 BLACK WIRES

UNLESS OTHERWISE SPECIFIED DIMENSION ARE IN INCHES TOLERANCES ARE: FRACTIONS: DECIMALS: ANGLES: MACHINED: ± 1/64 .X ± .1 ± 5° 125 .XX ± .01 .XXX ± .002		 909 ELECTRIC AVE, SUITE 206 SEAL BEACH, CA 90740 562-493-0158 NAME/DESC: 6DX PRO, MOUNTING DRAWING
DO NOT SCALE DRAWING		
MATERIAL: 6061-T6 ALUMINUM CASE	DRAWING NO: 13000-51000-TCN	REV: 1
DRAWN BY: G NEWTON 11/6/2012	SIZE: A	SCALE 2:1
SHEET 1 OF 1		