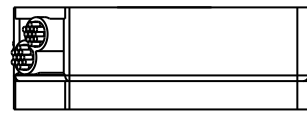
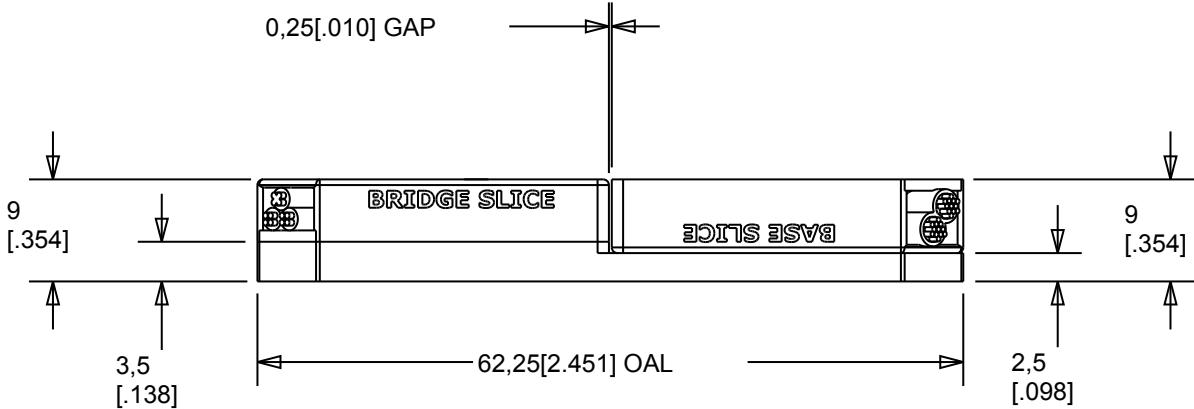
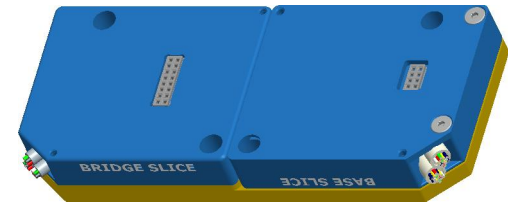
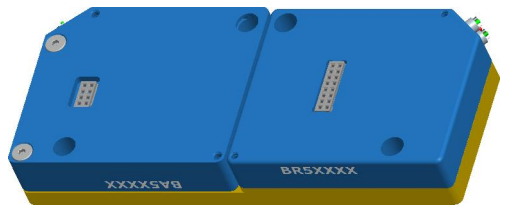
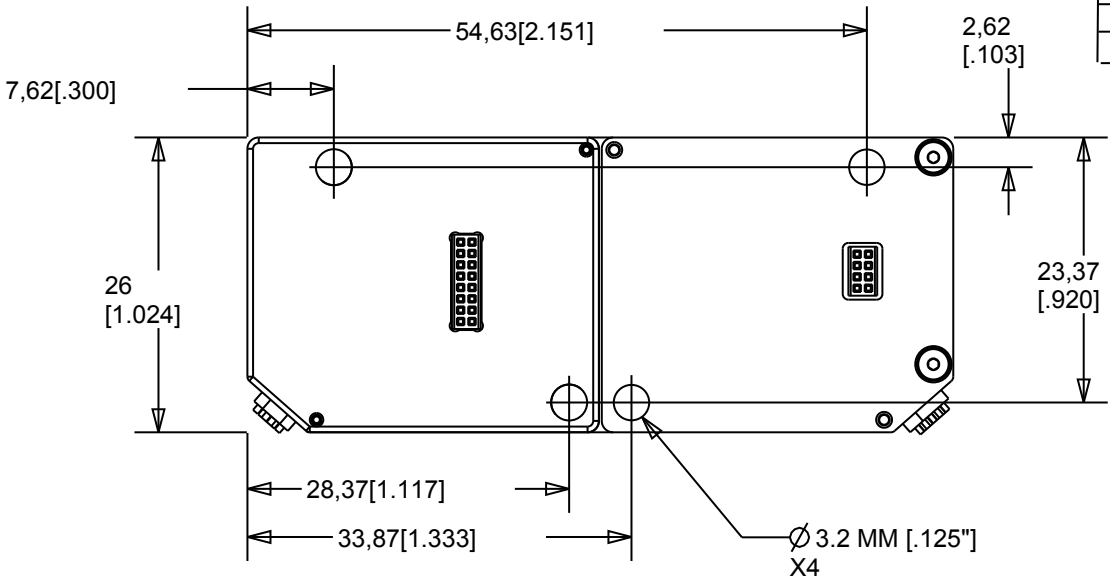



REVISIONS			
REV	DESCRIPTION	DATE	APPR



BREAK AND DEBURR ALL SHARP EDGES

UNLESS OTHERWISE SPECIFIED DIMENSION ARE IN MM TOLERANCES ARE: DECIMALS: ANGLES: .X ± .25 ± .5° .XX ± .1  DO NOT SCALE DRAWING	 909 ELECTRIC AVE, SUITE 206 SEAL BEACH, CA 90740 562-493-0158	
	NAME/DESC: <b>SLICE NANO EXTENDER,          BASE + 1BRIDGE</b>	
MATERIAL: <b>6061-T651 ALUMINUM</b>	DRAWING NO:	REV: 0
	DRAWN BY: <b>G NEWTON 4-9-09</b>	SIZE: A SCALE: 1:1 SHEET: 1 OF 1