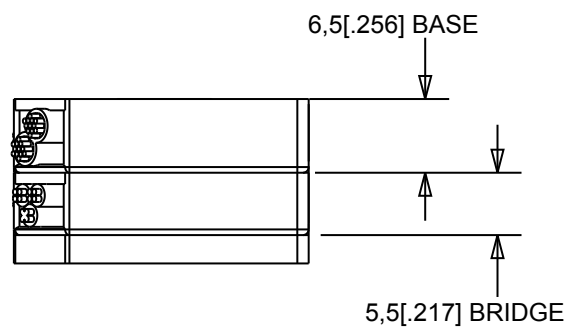
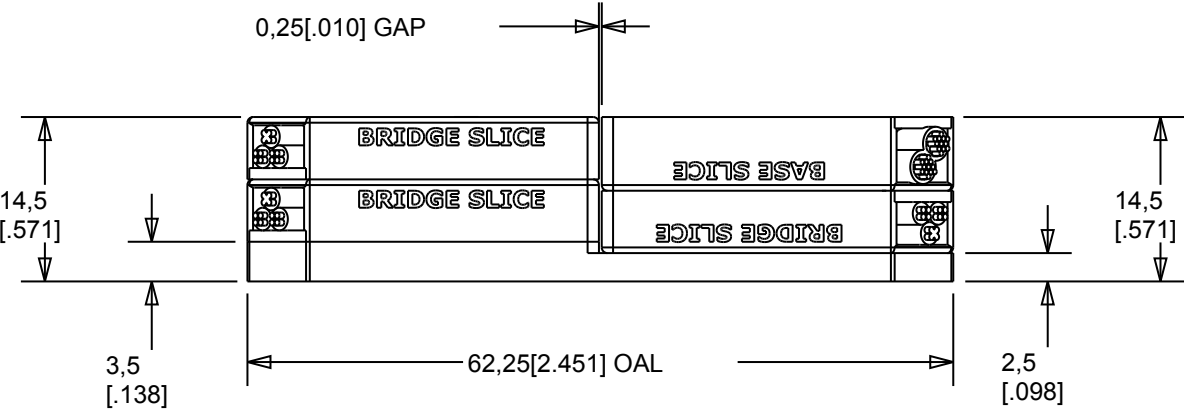
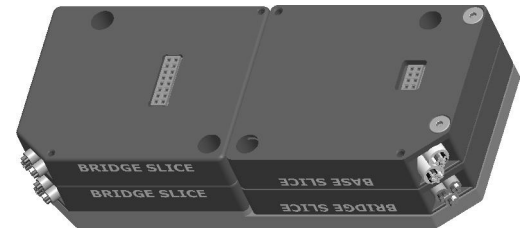
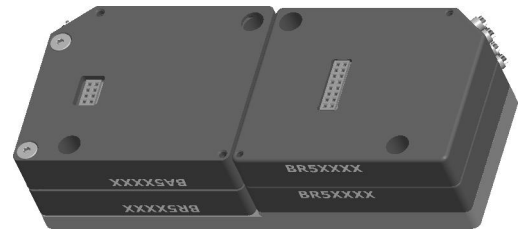
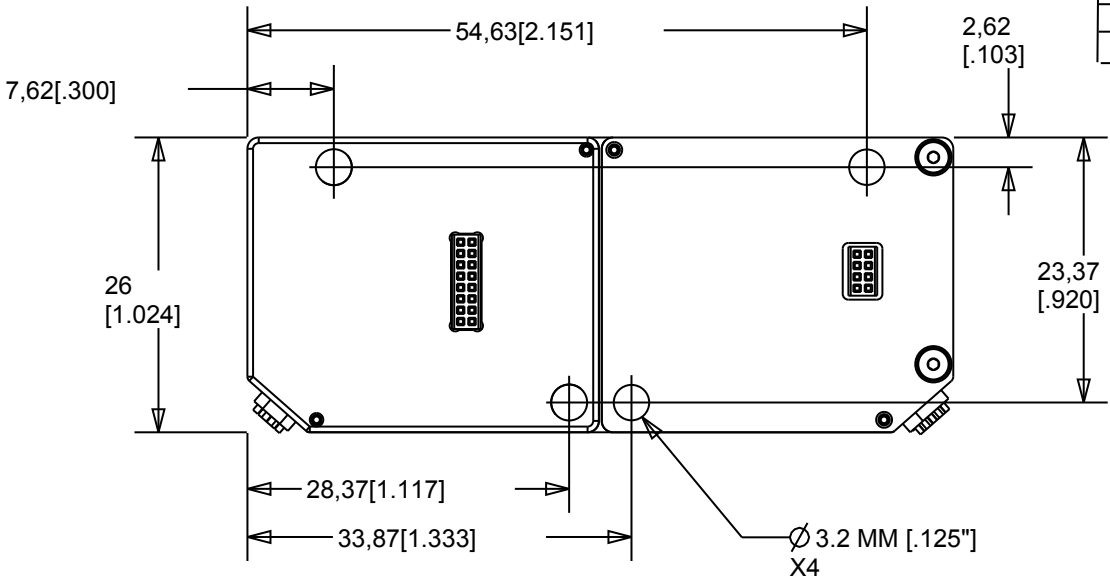



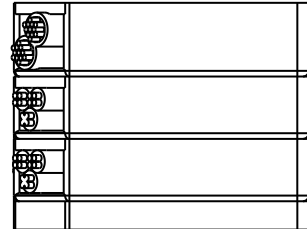
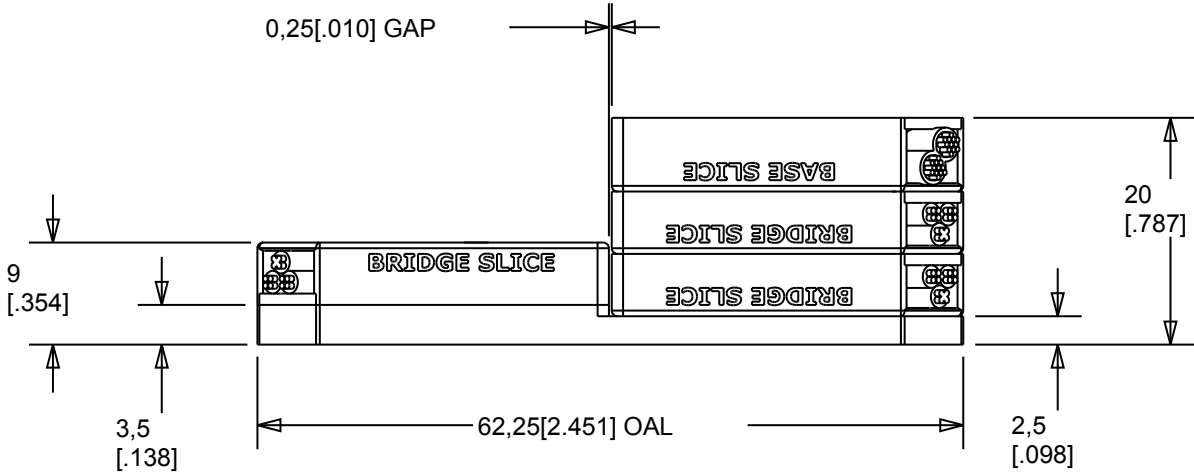
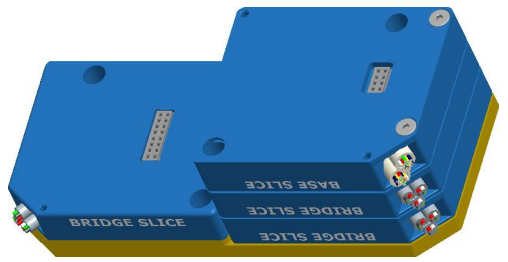
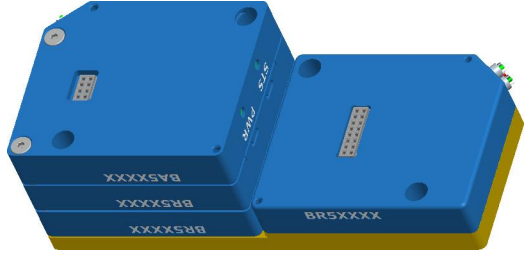
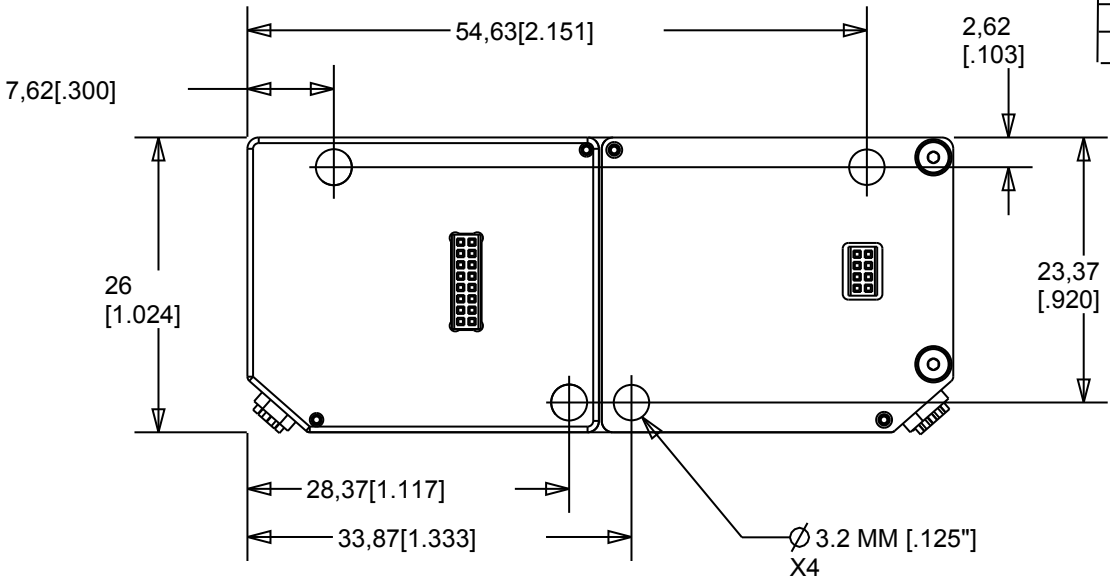
REVISIONS			
REV	DESCRIPTION	DATE	APPR




BREAK AND DEBURR ALL SHARP EDGES

UNLESS OTHERWISE SPECIFIED DIMENSION ARE IN MM TOLERANCES ARE: DECIMALS: ANGLES: .X ± .25 ± .5° .XX ± .1	 909 ELECTRIC AVE, SUITE 206 SEAL BEACH, CA 90740 562-493-0158		
	NAME/DESC: <b>SLICE NANO EXTENDER,          BASE &amp; 1BRIDGE + 2BRIDGE</b>		
DO NOT SCALE DRAWING	MATERIAL: <b>6061-T651          ALUMINUM</b>	DRAWING NO: G NEWTON 4-9-09	REV: 0
DRAWN BY: G NEWTON 4-9-09	SIZE: A	SCALE: 1:1	SHEET: 1 OF 1

REVISIONS			
REV	DESCRIPTION	DATE	APPR



BREAK AND DEBURR ALL SHARP EDGES

UNLESS OTHERWISE SPECIFIED DIMENSION ARE IN MM TOLERANCES ARE: DECIMALS: ANGLES: .X ± .25 ± .5° .XX ± .1		 909 ELECTRIC AVE, SUITE 206 SEAL BEACH, CA 90740 562-493-0158	
DO NOT SCALE DRAWING		NAME/DESC: <b>SLICE NANO EXTENDER, BASE &amp; 2BRIDGE + 1BRIDGE</b>	
MATERIAL: <b>6061-T651 ALUMINUM</b>	DRAWING NO:	REV: 0	
	DRAWN BY: <b>G NEWTON 4-9-09</b>	SIZE: <b>A</b>	SCALE <b>1:1</b>
		SHEET <b>1 OF 1</b>	