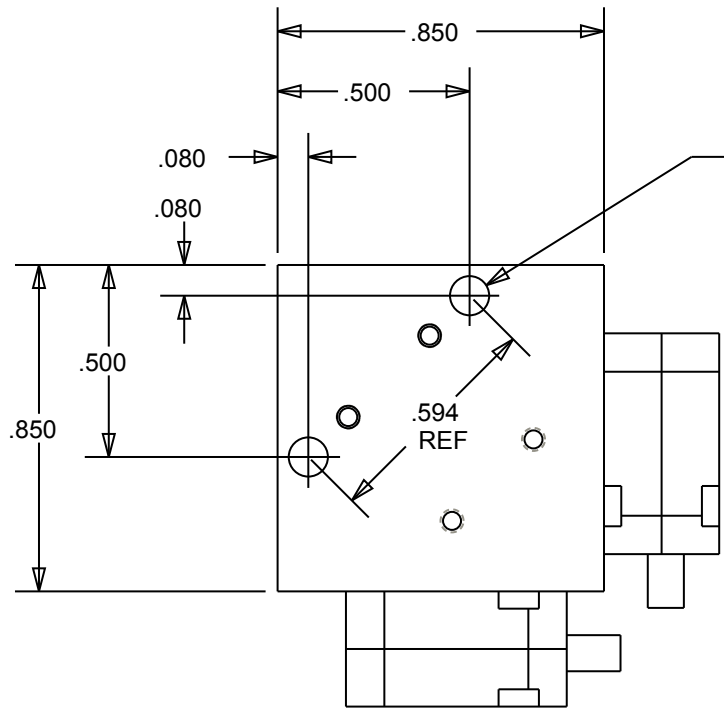
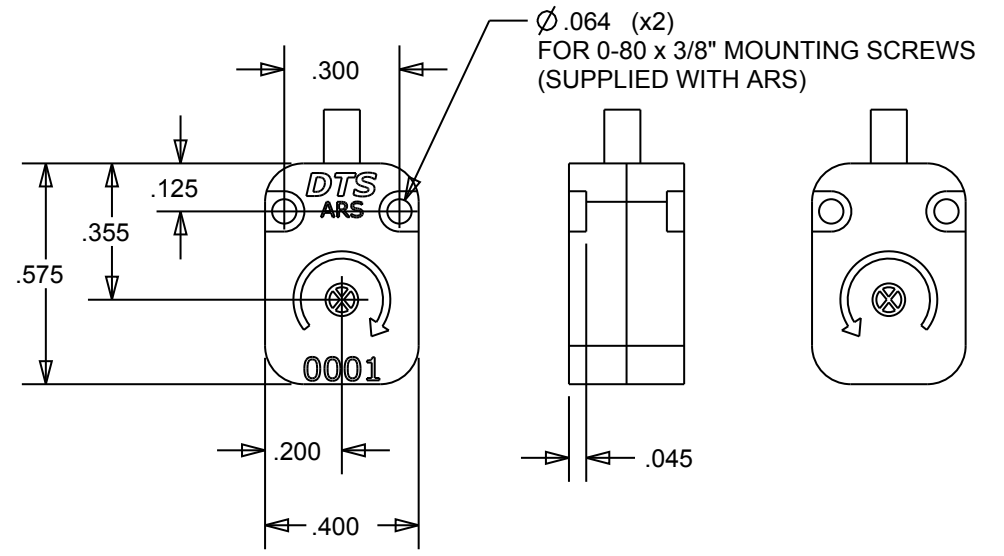
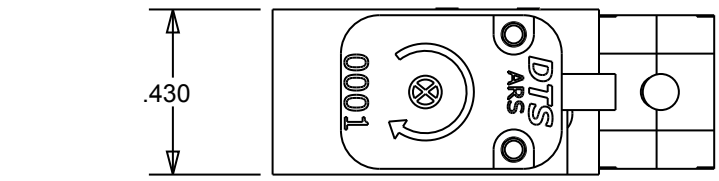
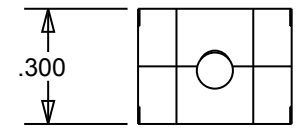


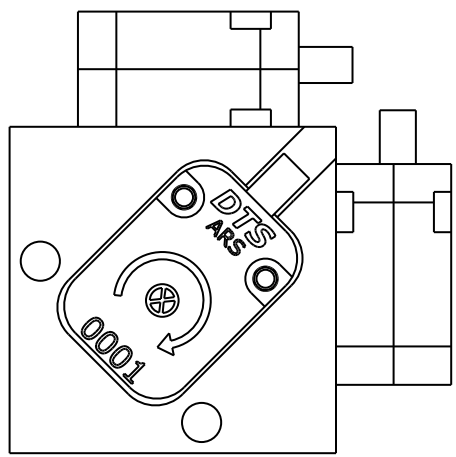
REVISIONS			
REV	DESCRIPTION	DATE	APPR



∅.102 (x2)
FOR 2-56 x 5/8" MOUNTING SCREWS (SUPPLIED WITH BLOCK)
OR M2.5 x 16MM (NOT SUPPLIED)



∅.064 (x2)
FOR 0-80 x 3/8" MOUNTING SCREWS
(SUPPLIED WITH ARS)



UNLESS OTHERWISE SPECIFIED
DIMENSION ARE IN INCHES
TOLERANCES ARE:
FRACTIONS: DECIMALS: ANGLES: MACHINED:
± 1/64 .X ± .1 ± .5° 125 ✓
.XX ± .01
.XXX ± .002
DO NOT SCALE DRAWING

DTS 909 ELECTRIC AVE, SUITE 206
SEAL BEACH, CA 90740
562-493-0158

NAME/DESC:
**ARS & TRIAX MOUNTING BLOCK,
MOUNTING DIMENSIONS**

MATERIAL:	DRAWING NO:	REV: 0
DRAWN BY: G NEWTON 5/26/09	SIZE: A	SCALE: 2:1
	SHEET: 1 OF 1	