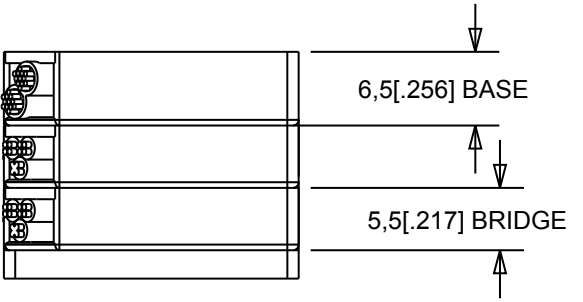
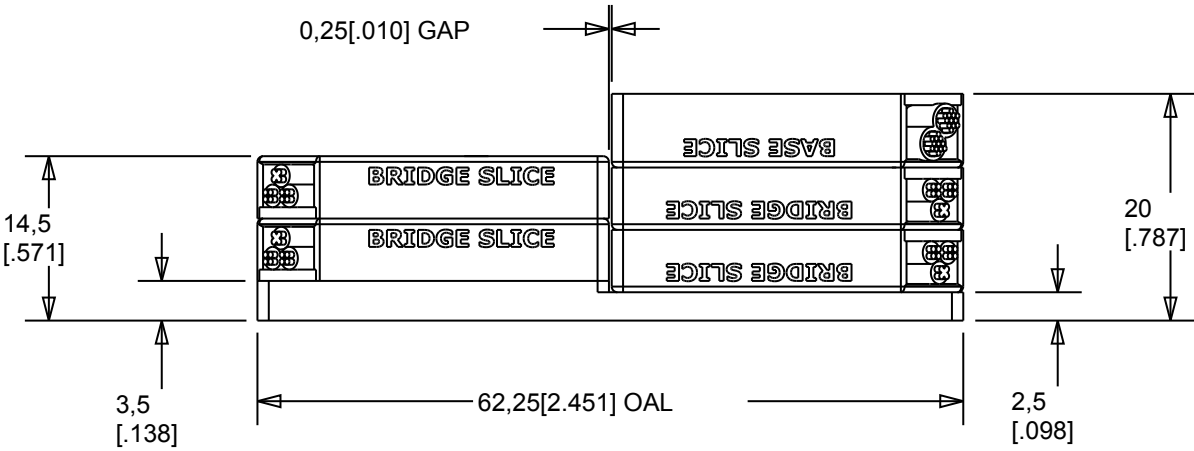
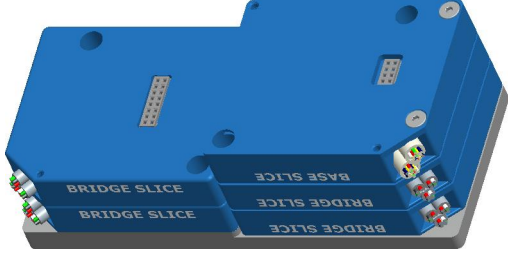
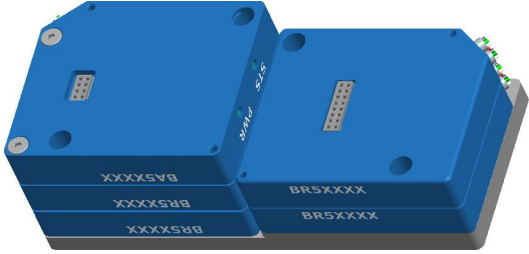
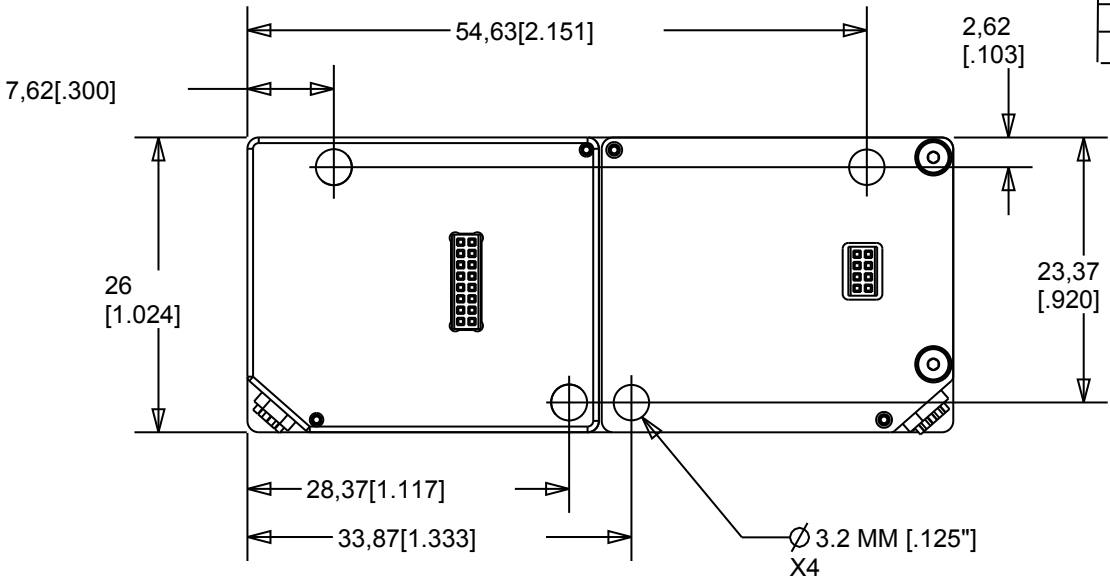



REVISIONS			
REV	DESCRIPTION	DATE	APPR



BREAK AND DEBURR ALL SHARP EDGES

UNLESS OTHERWISE SPECIFIED DIMENSION ARE IN MM TOLERANCES ARE: DECIMALS: ANGLES: X ± .25 ± .5° .XX ± .1		 909 ELECTRIC AVE, SUITE 206 SEAL BEACH, CA 90740 562-493-0158	
DO NOT SCALE DRAWING		NAME/DESC: SLICE NANO SYSTEM, FLEX LEG DIMENSIONS [1 MM PCB]	
MATERIAL: 6061-T651 ALUMINUM	DRAWING NO: G NEWTON 4-9-09	REV: 0	SHEET 1 OF 1
	SIZE: A	SCALE: 1:1	