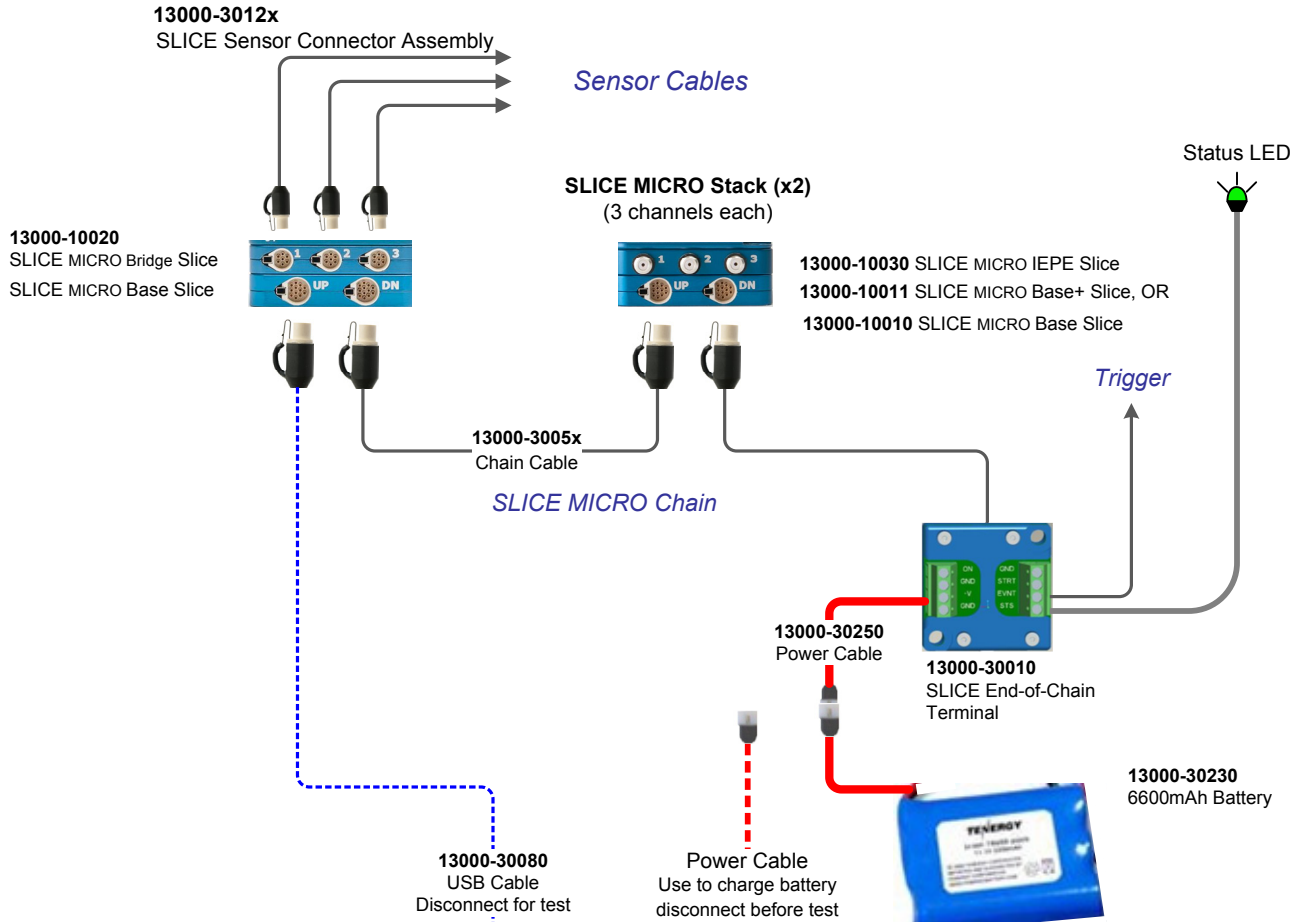


SLICE Application Diagram:

SLICE MICRO Multi-Stack System, Battery Powered

Battery powered 6ch SLICE MICRO System for Bridge type and IEPE Sensors (USB Connection).

TEST OBJECT



Setup Area