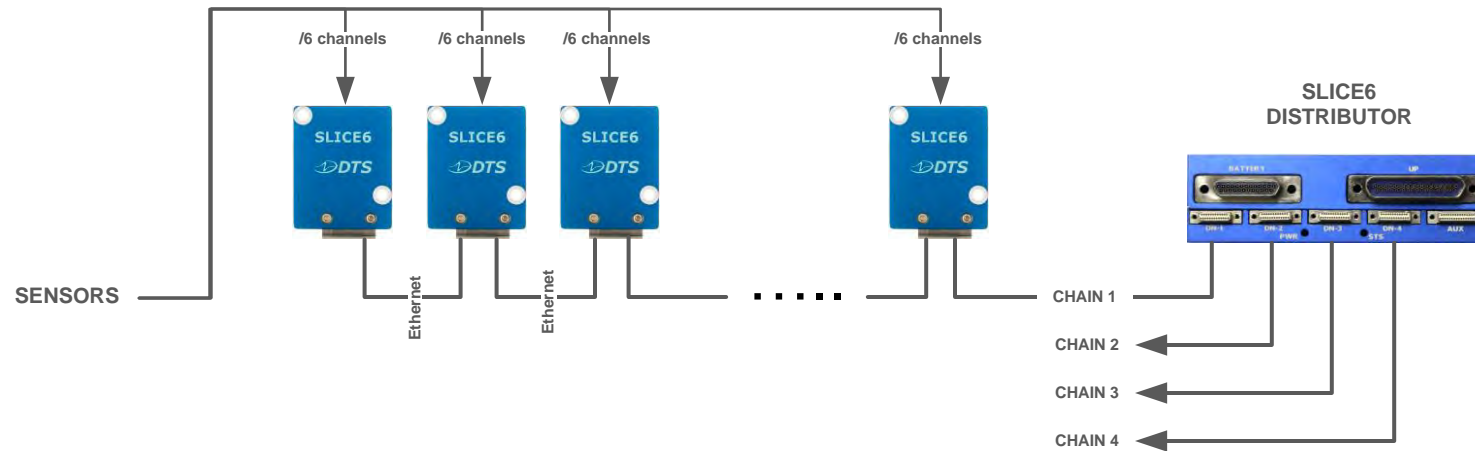


Application Diagram SLICE6 Connection Diagram



- Each SLICE6 has 6 input channels and connected via Ethernet
- No limit to number of SLICE6 that can be daisy chained
- SLICE6 chain limit is approximately 6MB/s
- SLICE DB (optional) needed if data rate on chain exceeds 6MB/s due to number of channels & sample rates