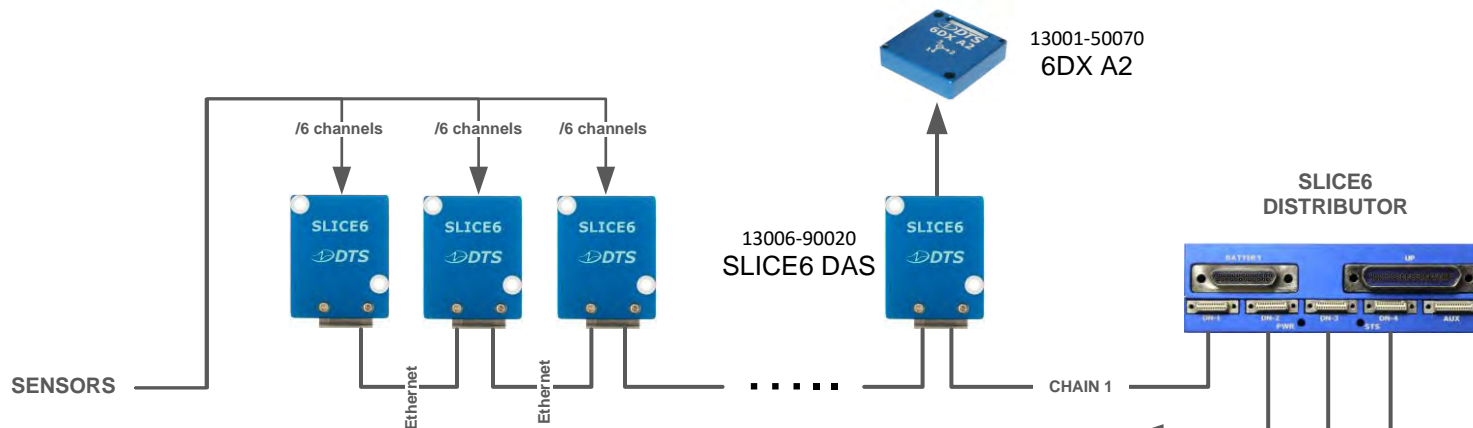
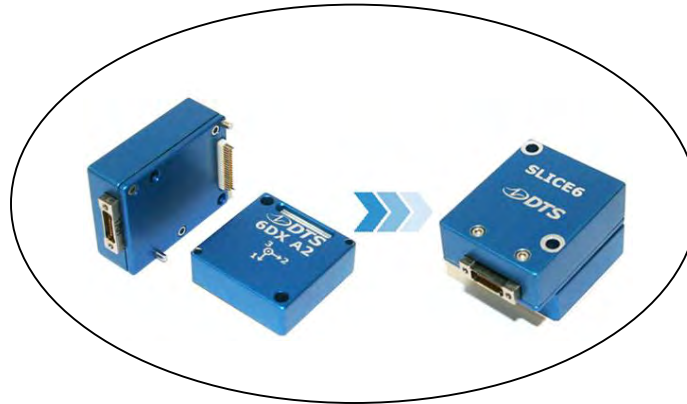




Application Diagram SLICE6 + 6DX A2 Connection Diagram



- Each SLICE6 has 6 input channels and connected via Ethernet
- 6DX A2/G2 Sensor can be mounted directly to SLICE6, no cable required
- SLICE6 chain limit is approximately 6MB/s
- SLICE DB (optional) needed if data rate on chain exceeds 6MB/s due to number of channels & sample rates