

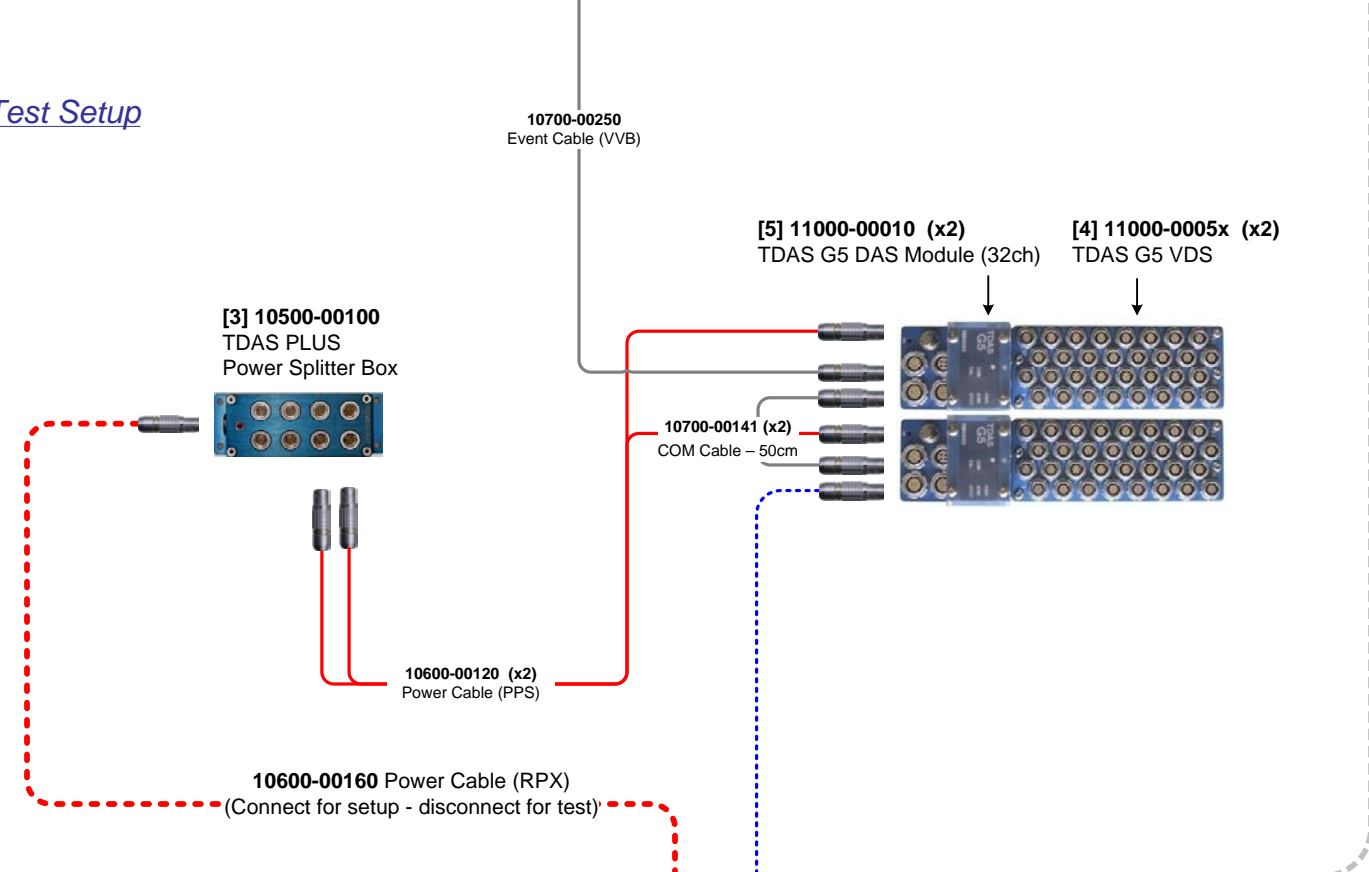
TDAS Application Diagram:

64ch TDAS G5 Basic System Package

TDAS G5 System with on-board Battery Power - Virtually Unlimited Expansion

Test Setup

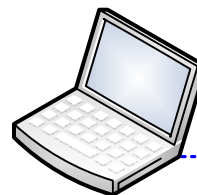
T=0 Contact Closure (e.g. tape switch)



Component List – 64ch TDAS G5 Basic System Package

- [1] **10910-04001: TDAS-CONTROL SOFTWARE** (Qty. 1)
Software for TDAS PRO and TDAS G5 systems, Windows® based GUI for system setup and control.
- [2] **10400-00010: TDAS-PS-01** (Qty. 1)
TDAS PLUS Power Supply
100-240VAC in; 15VDC @ 20A out. Connect during setup.
- [3] **10500-00100: TDAS-PSB** (Qty. 1)
TDAS PLUS Power Splitter
(1) 4-pin 2B Lemo connector for 15VDC Power IN
(8) 4-pin 2B Lemo connectors for 15VDC Power OUT
- [4] **11000-0005x: TDAS5-VDS** (Qty. 2)
TDAS G5 Vehicle Docking Station
Connector panel with customer specific configuration.
- [5] **11000-00010: TDAS5-M32** (Qty. 2)
TDAS G5 32-channel DAS module
Providing a total of 64 analog sensor channels

[2] **10400-00010**
Power Supply



10700-00150
PC COM Cable (REC)
Disconnect for test

[1] **10910-04001**
TDAS CONTROL Software

Lab Cart